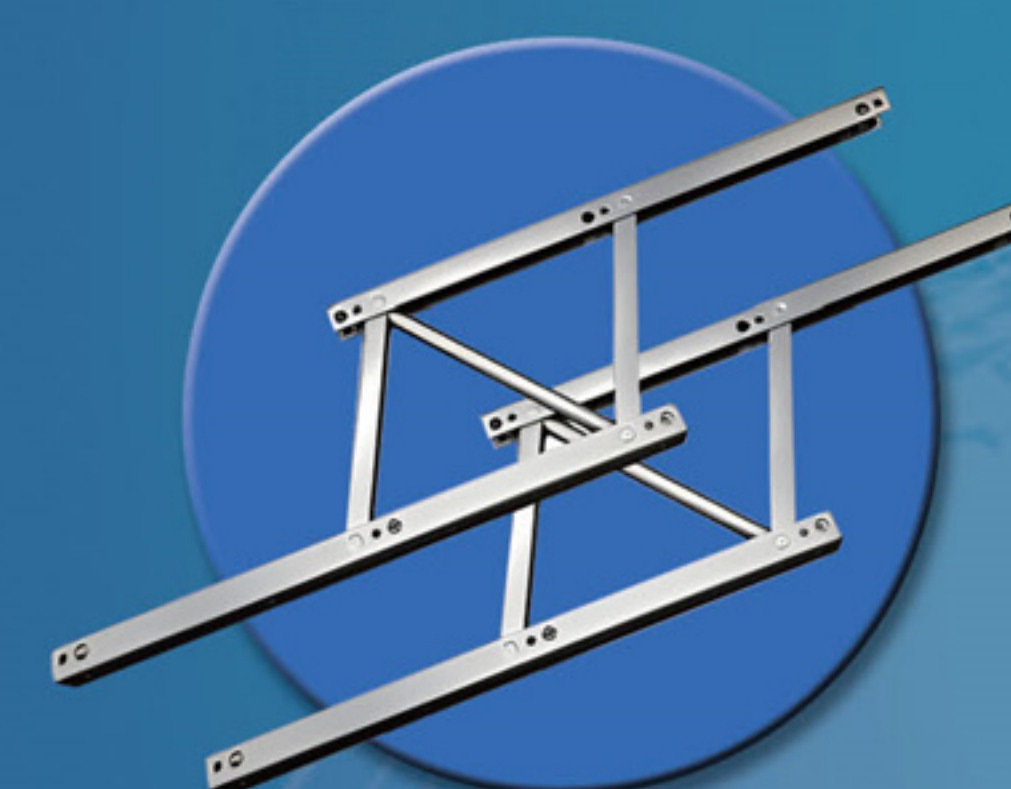




Furniture Hardware Manufacturer



Furniture Hardware Manufacturer

☎ 0086 13193071268

📍 No.1 Jiuqu Road, Economic Development Zone,
Dazu District, Chongqing, China, 400900

✉ chris@qihaojck.com export@qihaojck.com

🌐 www.qihaojck.com
www.furnituremechanism.net

PROFESSIONAL
FURNITURE HARDWARE

Company Introduction

公司简介

重庆琦皓，成立于2002年，专业研发，生产和销售家具五金配件。我公司位于重庆市大足“五金之乡”，有完善的配套体系和优质的钢材原料。此外，我司在广州设有仓库，满足沿海地区客户的供应需求。

我们专业生产和销售家具功能型五金配件!

琦皓的客户群体主要包括国内外的家具工厂，建材五金经销商批发商等；产品远销欧洲，美国等市场

We are a manufacturer and exporter of space saving furniture mechanism hardware. QIHAO, with over 15 years experience, specializes in R&D, production and sales of furniture hardware. Qihao has the R&D engineers and tooling making team, provides optimized products as well as customized products.

Our Products - bed lift mechanism, canape bed mechanism, bed fittings, sofa hinge, sofa mechanism, coffee table lift mechanism, table slide, connectors, brackets, etc. OEM/ODM welcome.

Our Location - headquarter at Dazu district, Chongqing China, the steel market of west China, it has advantages on high quality raw materials. - warehouse at Guangzhou China, stock for customer from coastal cities as well as overseas.

Our customers - furniture factories, wholesaler, distributors and retailers in China, Europe, Australia, Asia and South America.



Content 目录



01-02

桌支架系列/沙发支架系列
Table Mechanism Series / Sofa Mechanism Series



03

床脚系列
Bed Legs Series



04-05

沙发脚系列
Sofa Legs Series



06

沙发铰系列
Sofa Hinge series



07-08

枪钉系列
Gun Nail series



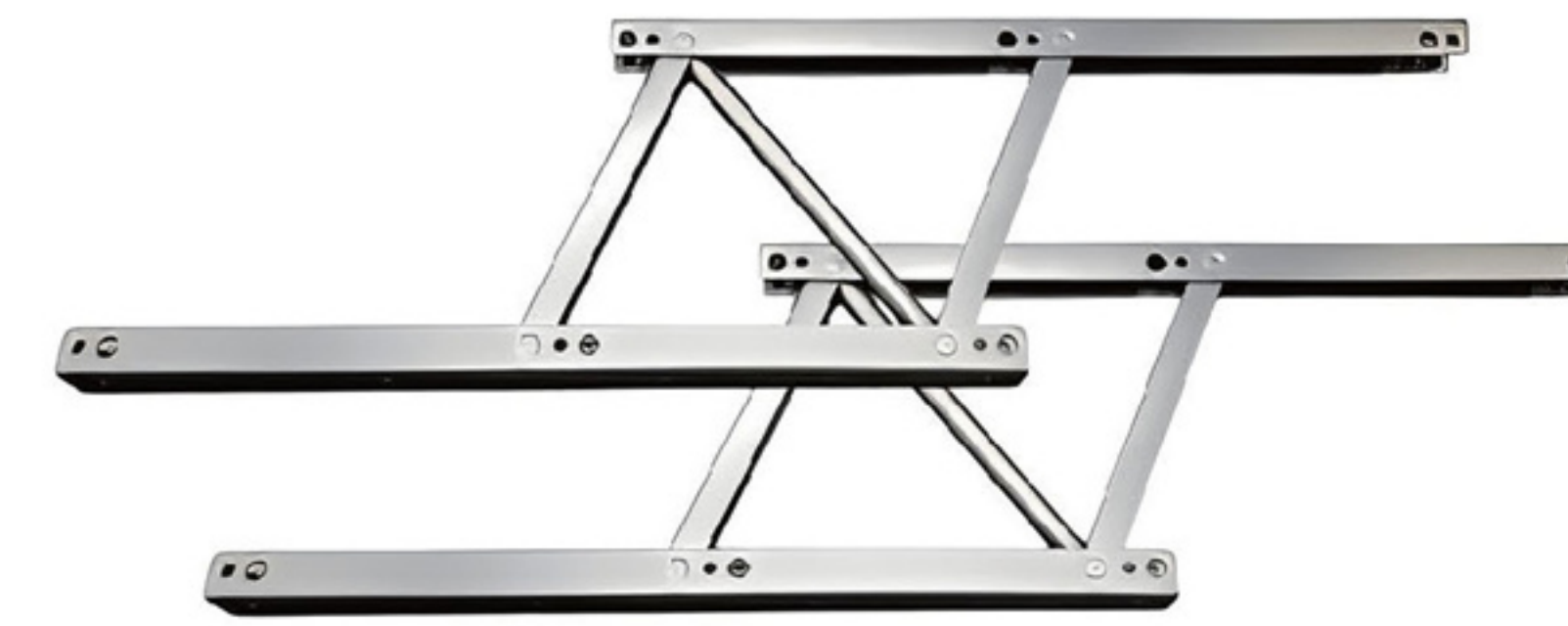
09

角码系列
Corner series



10

气撑系列
Gas Spring Series



Model No. 型号	QH-031
产品名称(PN)	咖啡桌支架 CaffeTable Mechanism
规格尺寸 (Dimension)	380mm*157mm
长度(overall length)	595mm/730mm
厚度(thickness)	1.2mm-1.5mm
颜色(color)	黑色/灰色/银色 (Black/Gray/Silver)



Model No. 型号	QH-032
产品名称(PN)	咖啡桌支架 CaffeTable Mechanism
规格尺寸 (Dimension)	420x205mm
长度(overall length)	595mm/730mm
厚度(thickness)	1.2mm-1.5mm
颜色(color)	黑色/灰色/银色 (Black/Gray/Silver)



沙发支架系列 Sofa Mechanism Series



Model No. 型号	QH-063
规格尺寸 (Dimension)	300mm*360mm
厚度 (Thickness)	3.0-4.0
重量 (Weight)	2.17kg/set



Model No. 型号	QH-052
规格尺寸 (Dimension)	150x230MM
厚度 (Thickness)	2.5-4.0mm
重量(Weight)	1.33kg/set



Model No. 型号	QH-021
产品名称(PN)	床支架 (Bed Lift Mechanism)
规格尺寸 (Dimension)	410x530mm
厚度(thickness)	3.0-6.0mm
重量 (weight)	3.48kg/Set



Model No. 型号	QH-022
产品名称(PN)	床支架 (Bed Lift Mechanism)
规格尺寸 (Dimension)	600x400mm
厚度(thickness)	3.0-6.0mm
重量 (weight)	3.42kg/Set



Model No. 型号	QH-023
产品名称(PN)	床支架 (Bed Lift Mechanism)
规格尺寸 (Dimension)	900/1000/1200/1500x620mm
厚度(thickness)	3.0-6.0mm
重量 (weight)	5.36kg



Model No. 型号	QH-024
产品名称(PN)	床支架 (Bed Lift Mechanism)
规格尺寸 (Dimension)	340x530mm
厚度(thickness)	3.0-6.0mm
重量 (weight)	2.21kg/set



Model No. 型号	EZ-001
产品名称(PN)	电动支架 Electric Bed Lift Mechanism
规格尺寸 (Dimension)	410mm/800mm
厚度(thickness)	3.0-6.0mm
重量(Weight)	8.6kg/10.3kg/set with(power-driven parts)



Model No. 型号	QH-025
产品名称(PN)	床支架 (Bed Lift Mechanism)
规格尺寸 (Dimension)	360x560mm
厚度(thickness)	3.0-6.0mm
重量(Weight)	2.87kg(without gas spring)



Model No. 型号	QH-026
产品名称(PN)	床腿 (bed leg)
规格尺寸 (Dimension)	50mm*250mm/270mm/300mm



Model No. 型号	QH-028
产品名称(PN)	床腿 (bed leg)
规格尺寸 (Dimension)	Size can be customized 尺寸可定制



Model No. 型号	QH-029
产品名称(PN)	床腿 (bed leg)
规格尺寸 (Dimension)	Size can be customized 尺寸可定制



Model No. 型号	QH-030
产品名称(PN)	家具腿 (furniture leg)
规格尺寸 (Dimension)	Size can be customized 尺寸可定制



Model No. 型号	QH-SC01
材质 (Material)	铁 (Iron)
规格尺寸 (Dimension)	10cm/12cm/13cm/15cm
颜色 (color)	枪色/黑色/金色/定制颜色 tarnish/black/gold/customized



Model No. 型号	QH-SC02
材质 (Material)	铁 (Iron)
规格尺寸 (Dimension)	10cm/13cm/15cm
颜色 (color)	枪色/黑色/金色/定制颜色 tarnish/black/gold/customized



Model No. 型号	QH-SC03
材质 (Material)	铁 (Iron)
规格尺寸 (Dimension)	12cm/15cm
颜色 (color)	枪色/黑色/金色/定制颜色 tarnish/black/gold/customized



Model No. 型号	QH-SC04
材质 (Material)	铁 (Iron)
规格尺寸 (Dimension)	10cm/12cm/15cm
颜色 (color)	枪色/黑色/金色/定制颜色 tarnish/black/gold/customized



Model No. 型号	QH-SC05
材质 (Material)	铁 (Iron)
规格尺寸 (Dimension)	10cm/12cm/13cm/15cm
颜色 (color)	枪色/黑色/金色/定制颜色 tarnish/black/gold/customized



DZL-001

DZL-002

DZL-003

DZL-004



DZL-005

DZL-006

DZL-007

DZL-008



DZL-009

DZL-010

DZL-011

DZL-012



型号 Model No.	QH-026
产品名称(PN)	沙发铰(sofa hinge)
规格尺寸 (Dimension)	230mm*63mm/260mm*85mm
档位 (gear)	两档 (two postion)
角度 (Angle)	105 ° /135 °
厚度 (thickness)	2.0mm-2.5mm

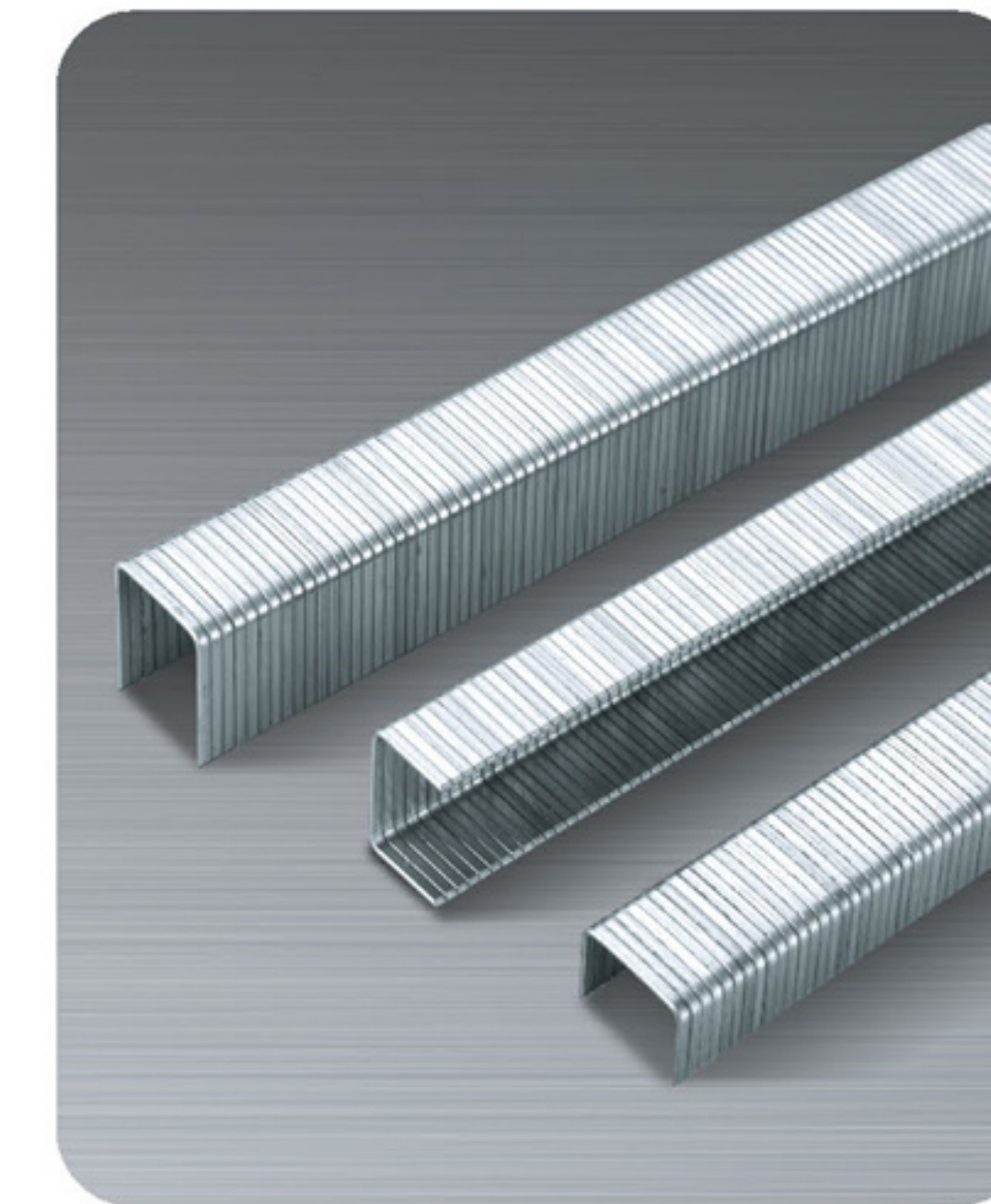
型号 Model No.	QH-027
产品名称(PN)	沙发铰(sofa hinge)
规格尺寸 (Dimension)	260mm*225mm
档位 (gear)	三档 (3postion)
角度 (Angle)	107 ° /135 ° /160 °
厚度 (thickness)	2.3mm-2.5mm



型号 Model No.	QH-029
产品名称(PN)	秋千铰(sofa hinge)
规格尺寸 (Dimension)	300mm*225mm
档位 (gear)	一档 (1postion)
角度 (Angle)	105 °
厚度 (thickness)	2.3-2.5mm



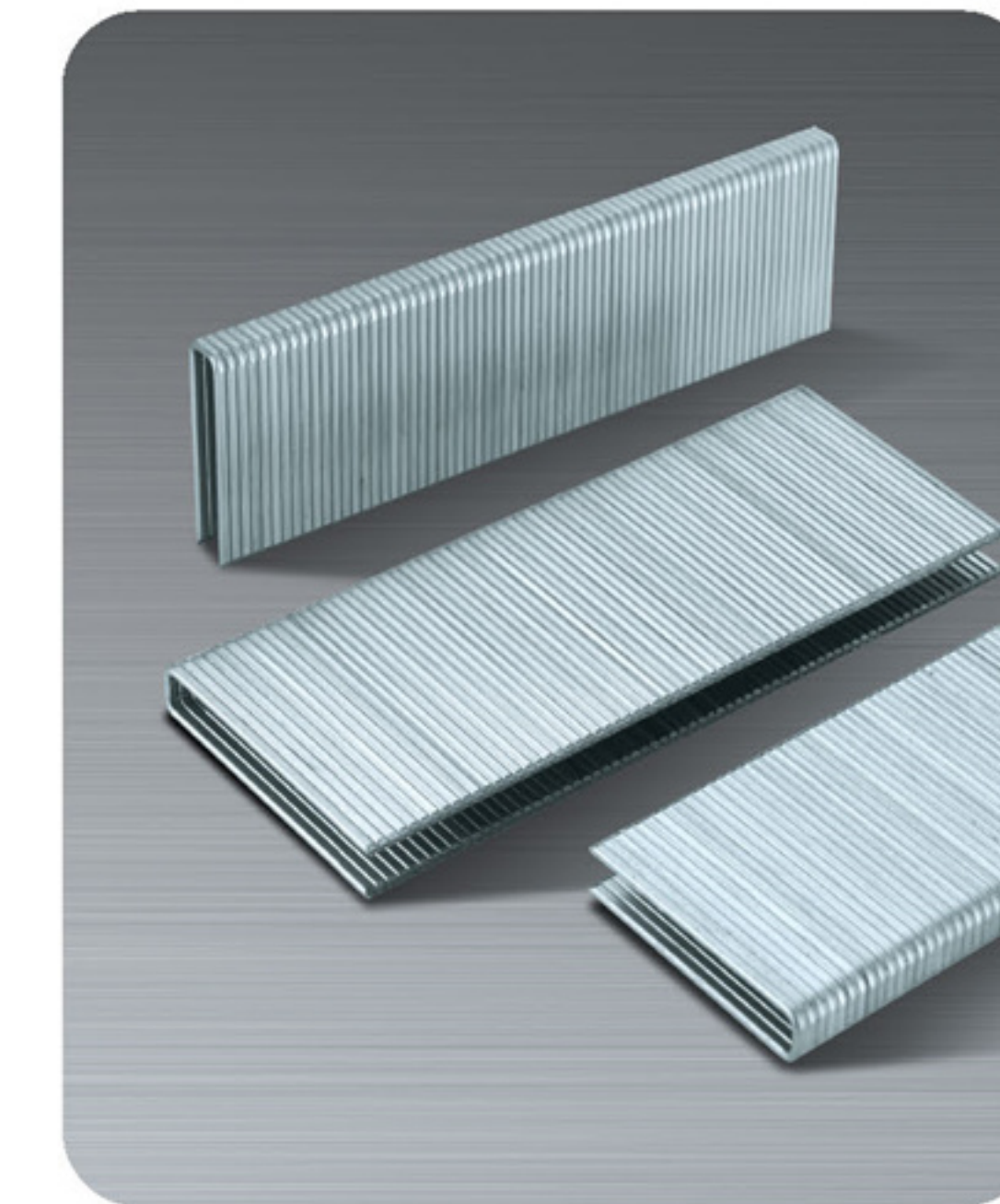
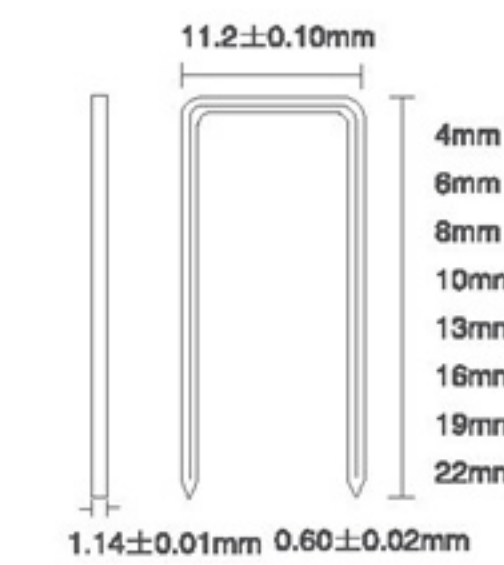
型号 Model No.	QH-030
产品名称(PN)	沙发头枕铰链 (sofa headrest hinge)
规格尺寸 (Dimension)	高度(Height 105~155mm)
厚度 (thickness)	2.5mm



J钉系列

型号Model: 产品脚长Length:

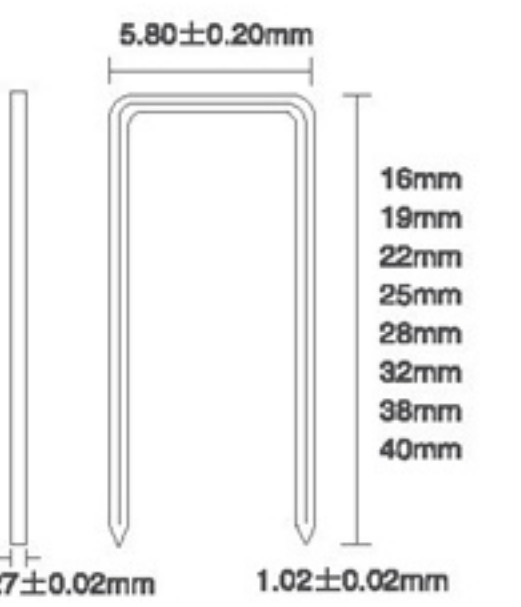
1006J	0.55cm
1008J	0.70cm
1010J	0.85cm
1013J	1.20cm



K钉系列

型号Model: 产品脚长Length:

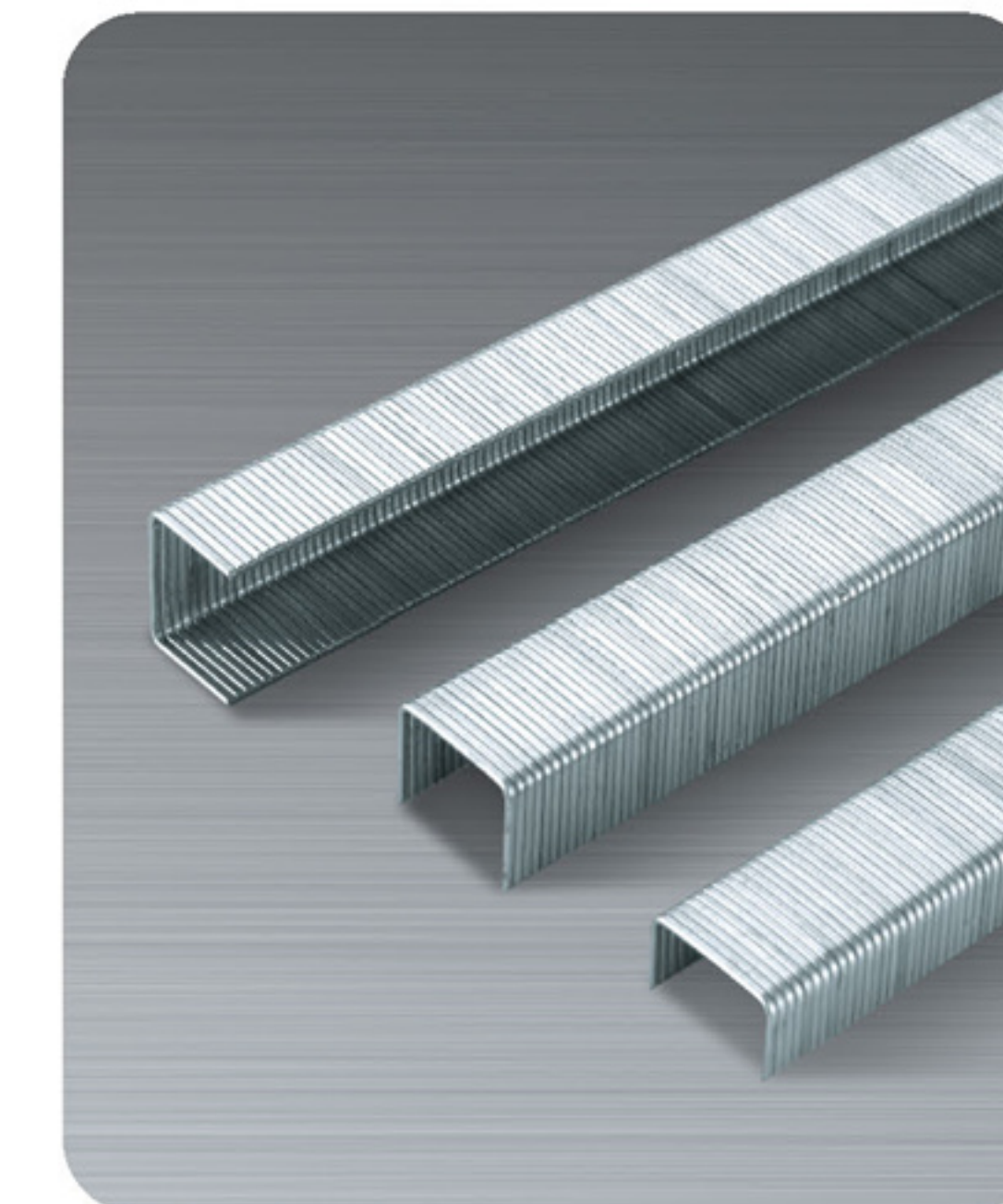
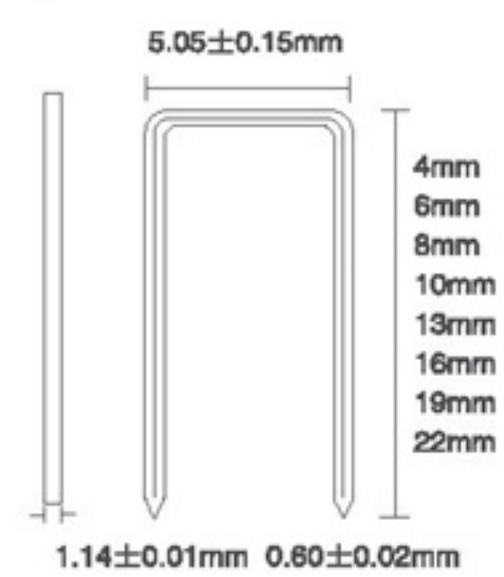
425K	2.30cm
432K	3.00cm
438K	3.50cm



4J小码钉系列

型号Model: 产品脚长Length:

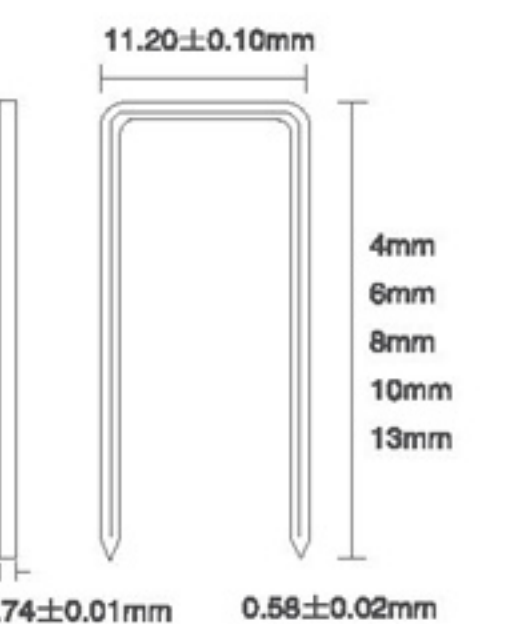
410J	1.50cm
413J	1.50cm
416J	1.50cm
419J	1.70cm
422J	2.00cm



F小码钉系列

型号Model: 产品脚长Length:

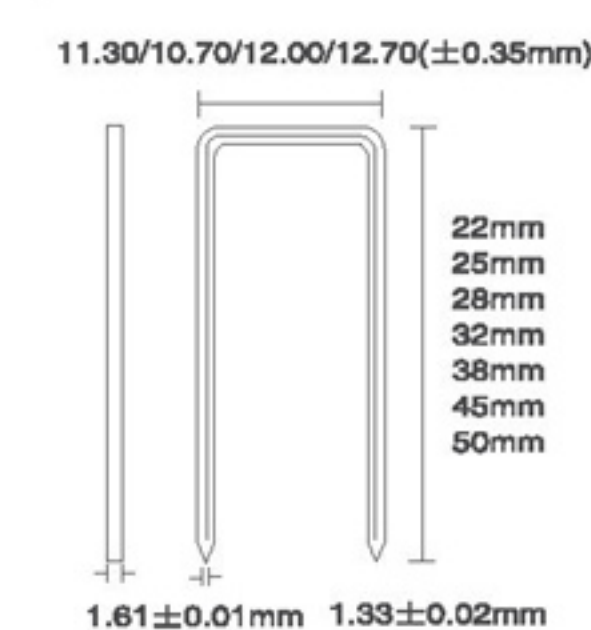
1007F	0.65cm
1010F	0.90cm



N钉系列

型号Model: 产品脚长Length:

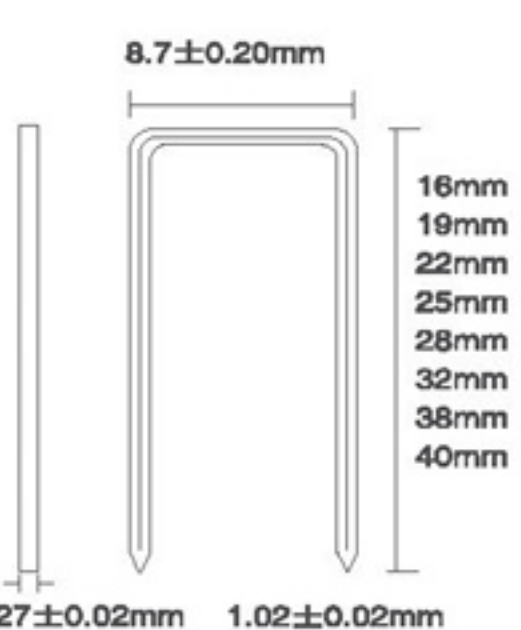
N13	2.40cm
N15	2.80cm
N17	3.50cm
N19	4.00cm
N21	4.50cm

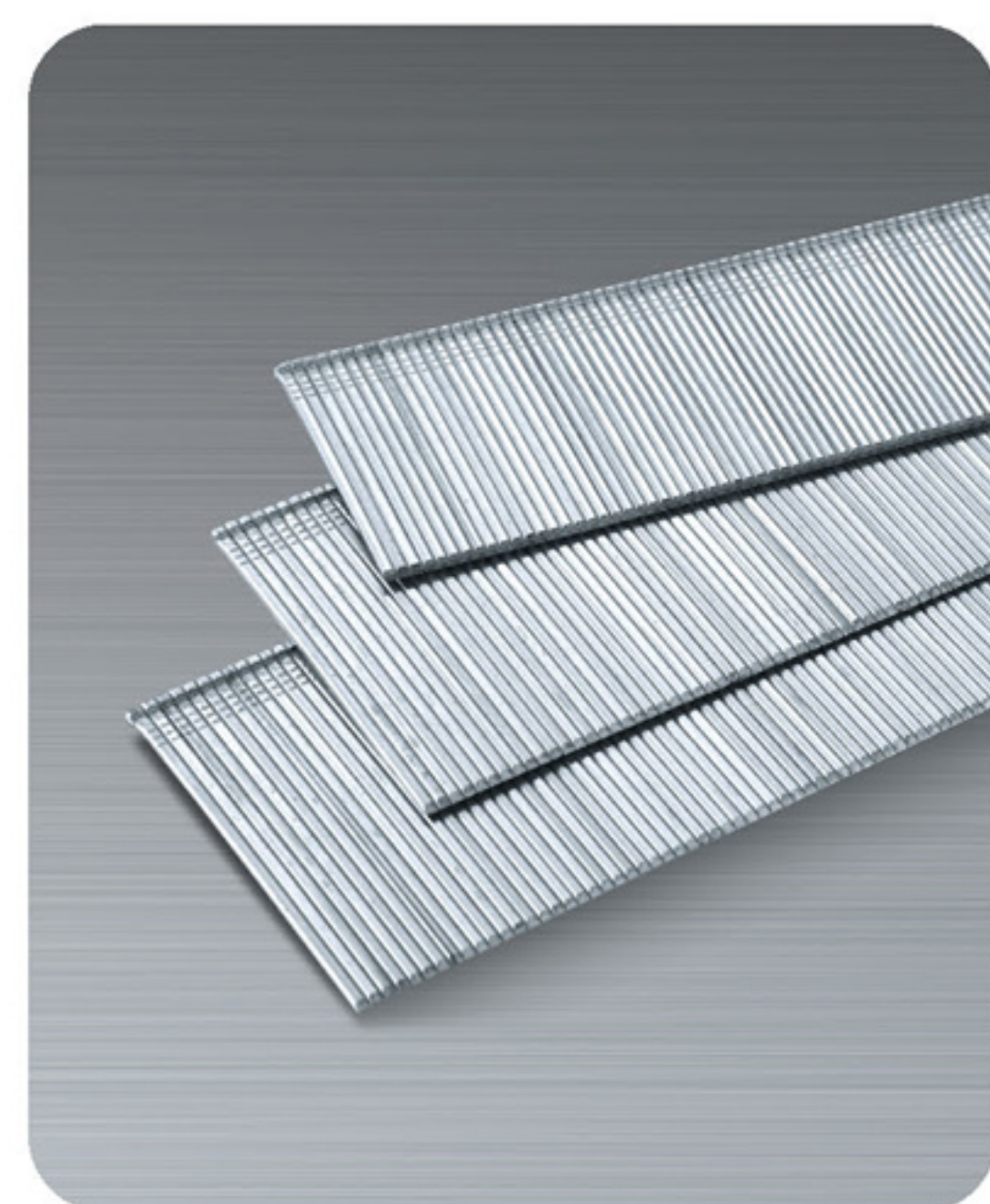


92码钉系列

型号Model: 产品脚长Length:

9230	2.60cm
9235	3.10cm
9240	3.60cm

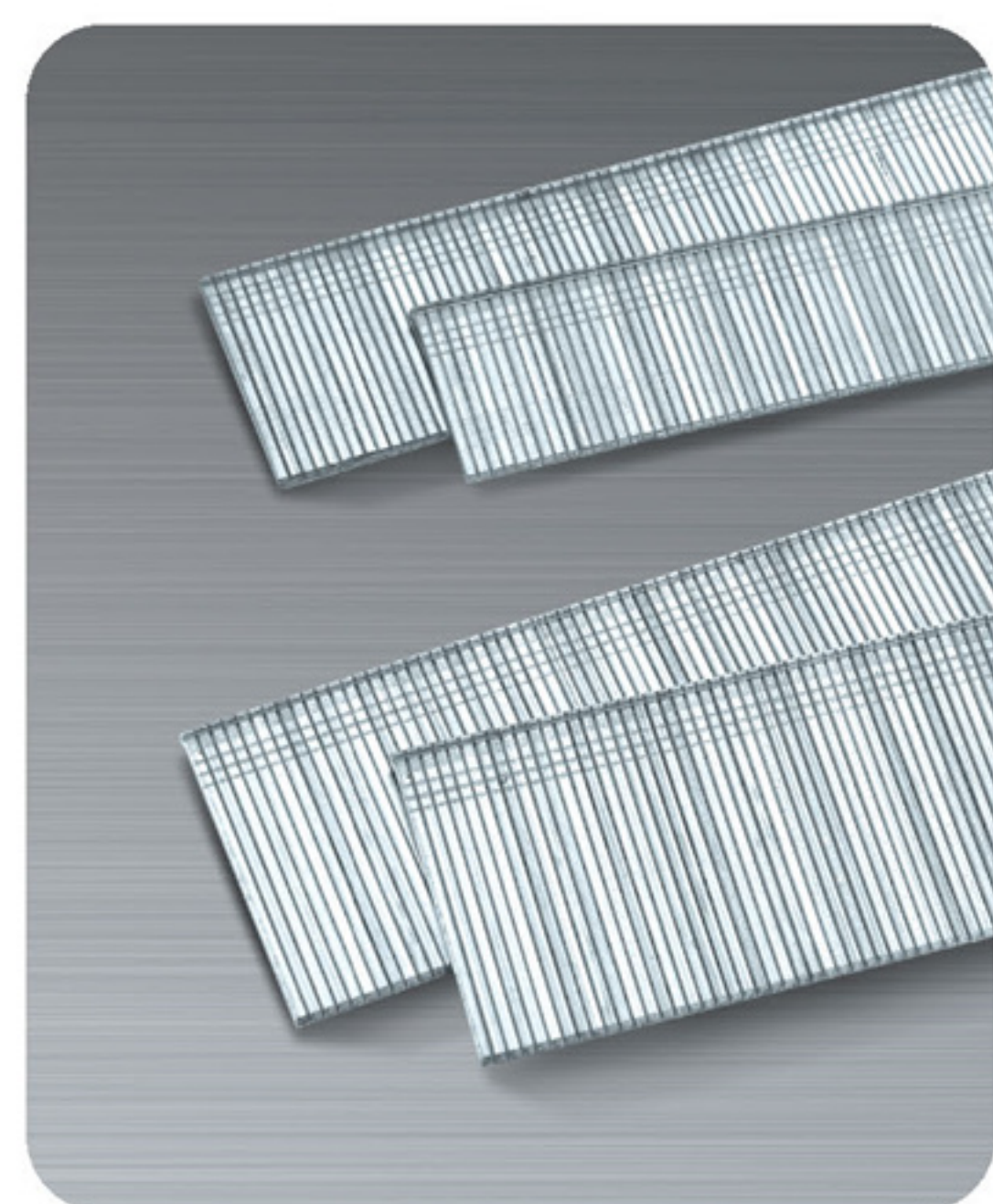
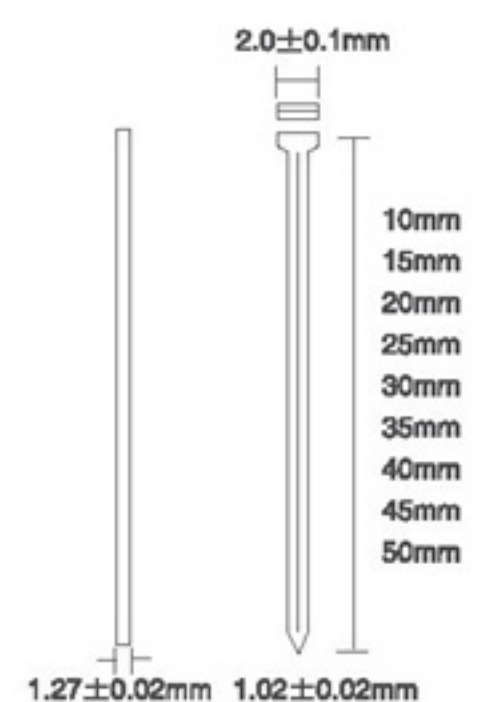




F直钉系列

型号Model: 产品脚长Length:

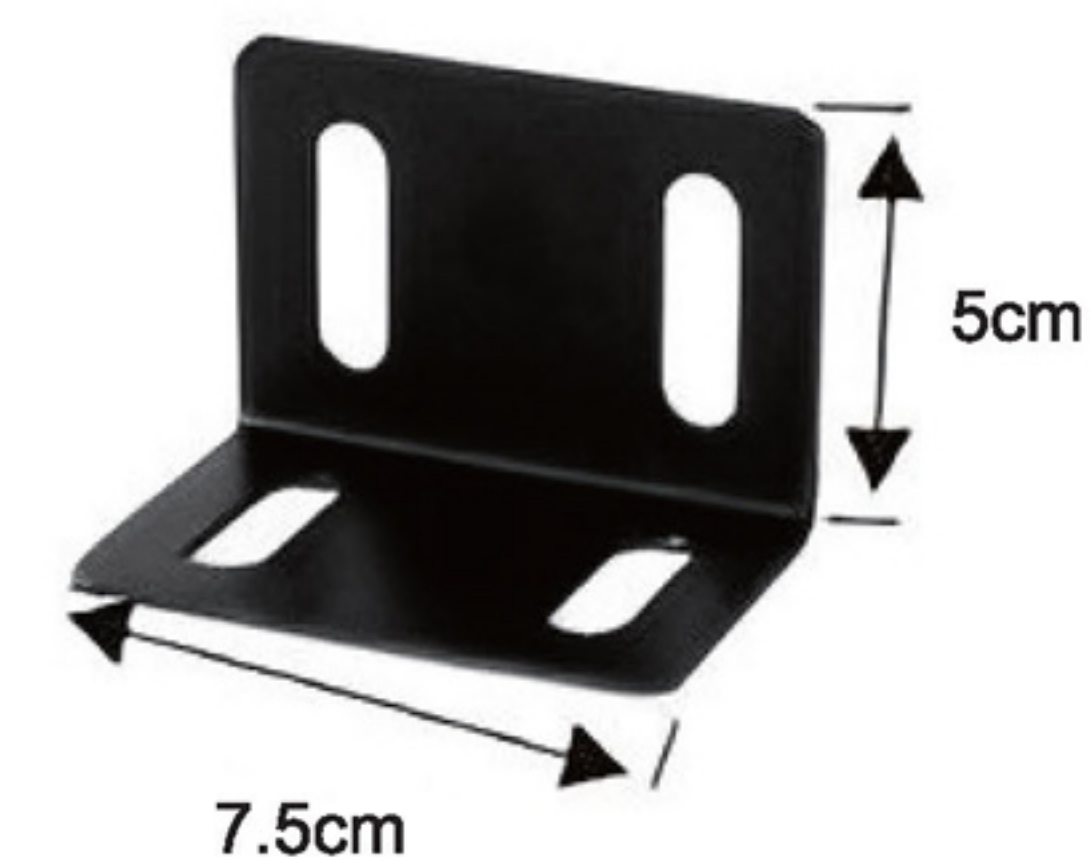
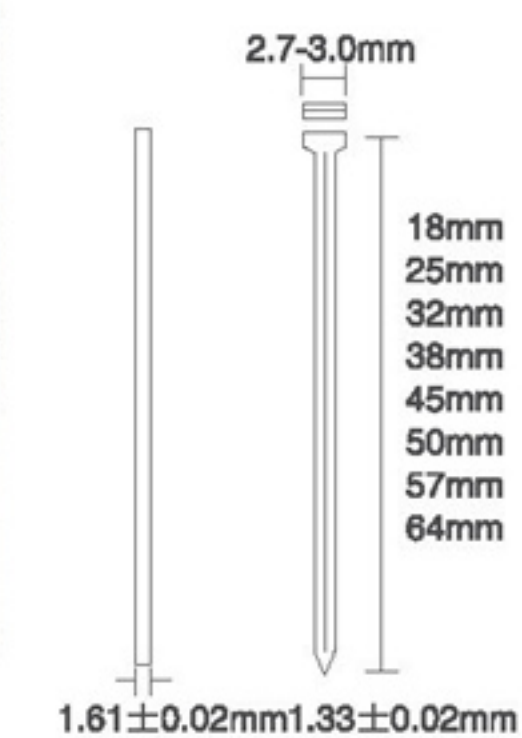
F10	1.0cm
F15	1.40cm
N20	1.90cm
N25	2.40cm
N30	2.90cm



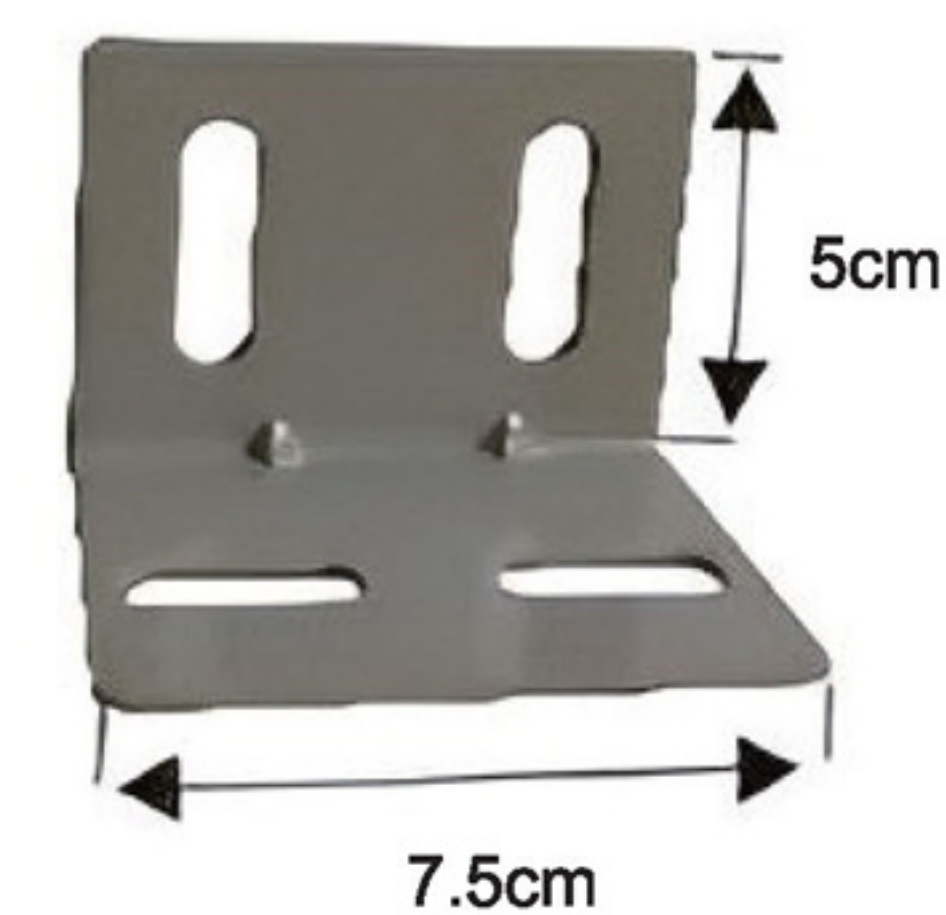
T直钉系列

型号Model: 产品脚长Length:

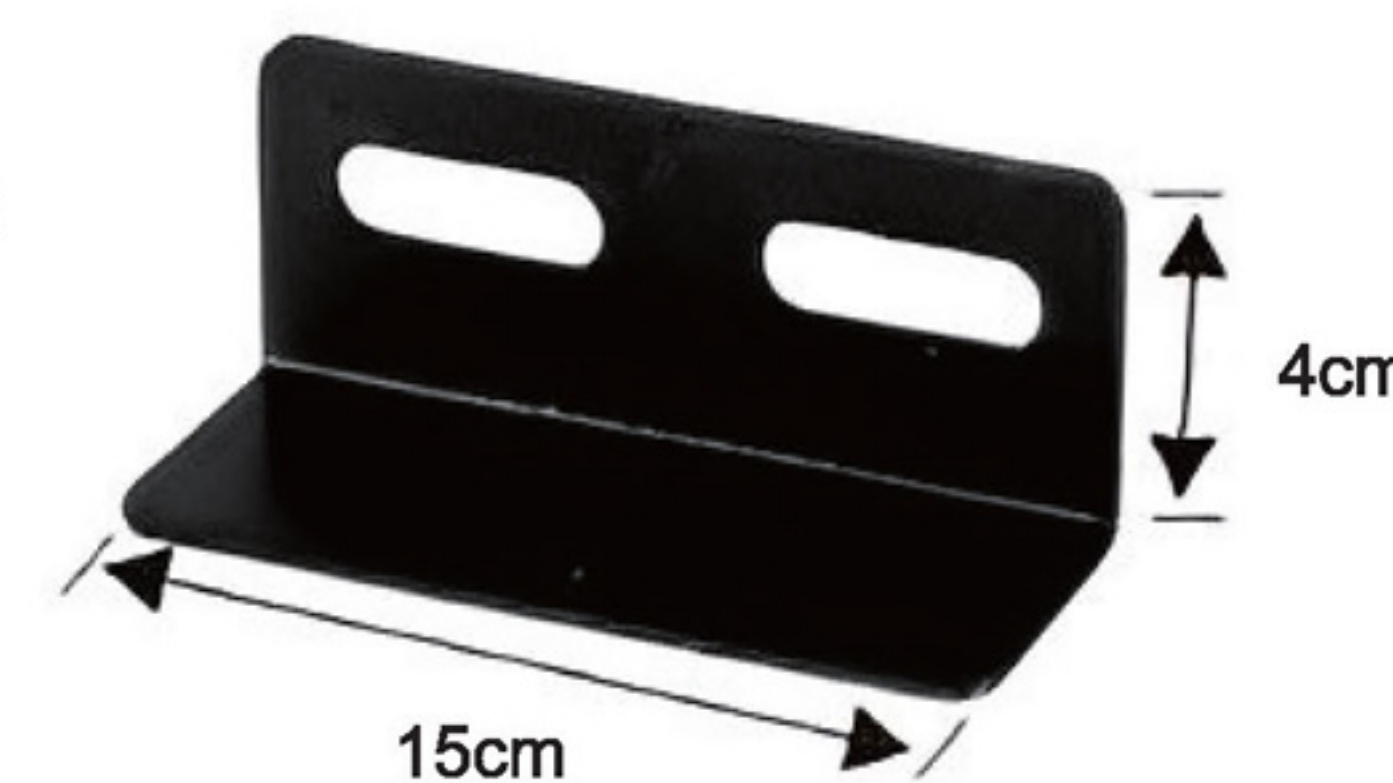
T38	3.70cm
T50	4.90cm



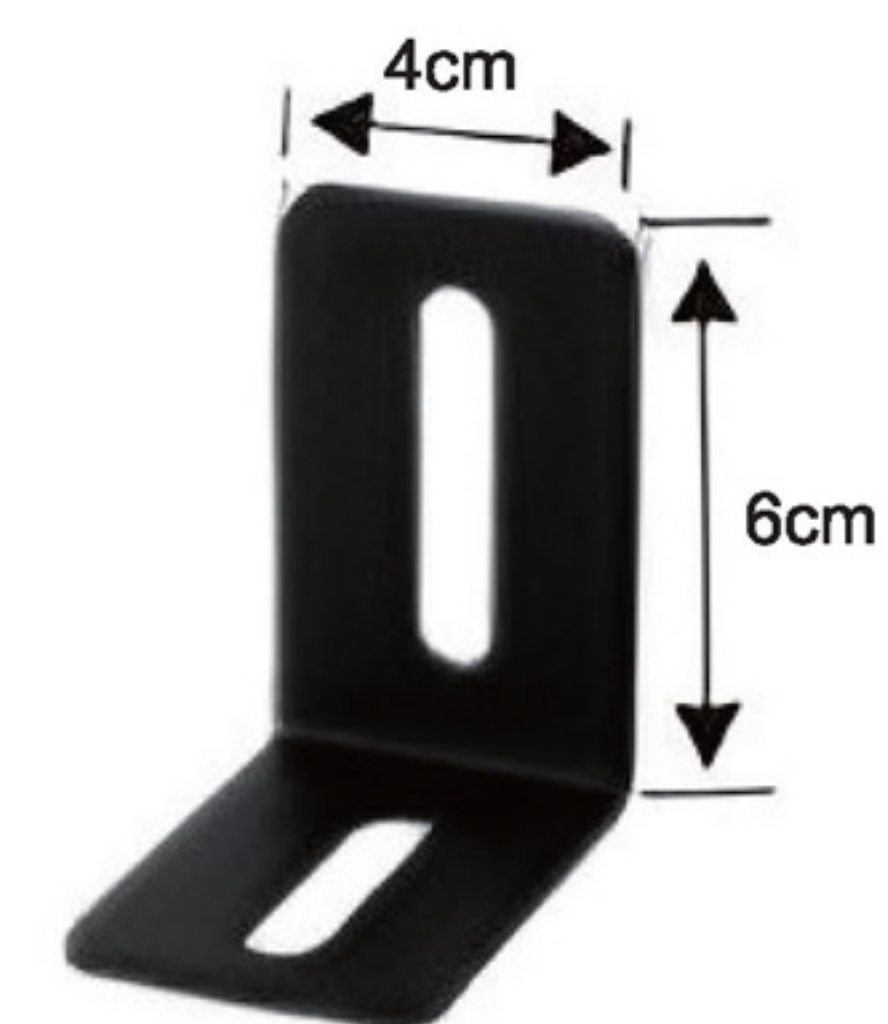
QH-S03



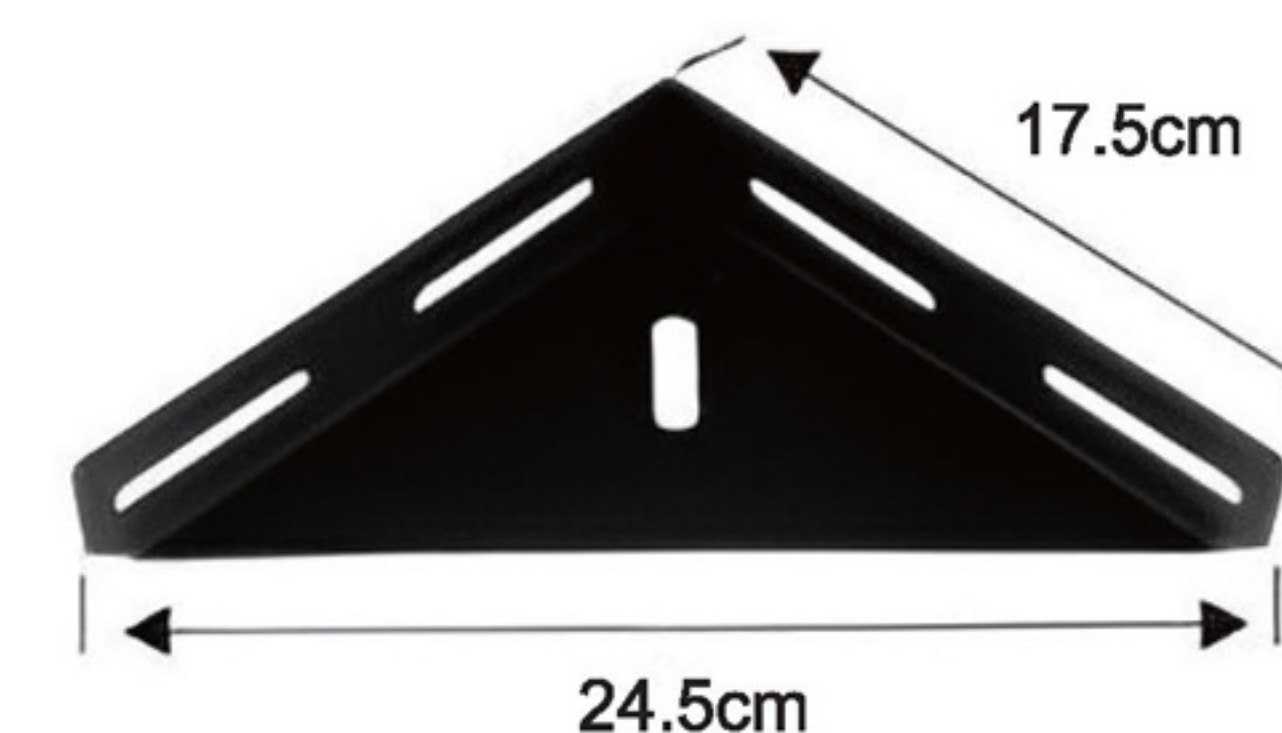
QH-S04



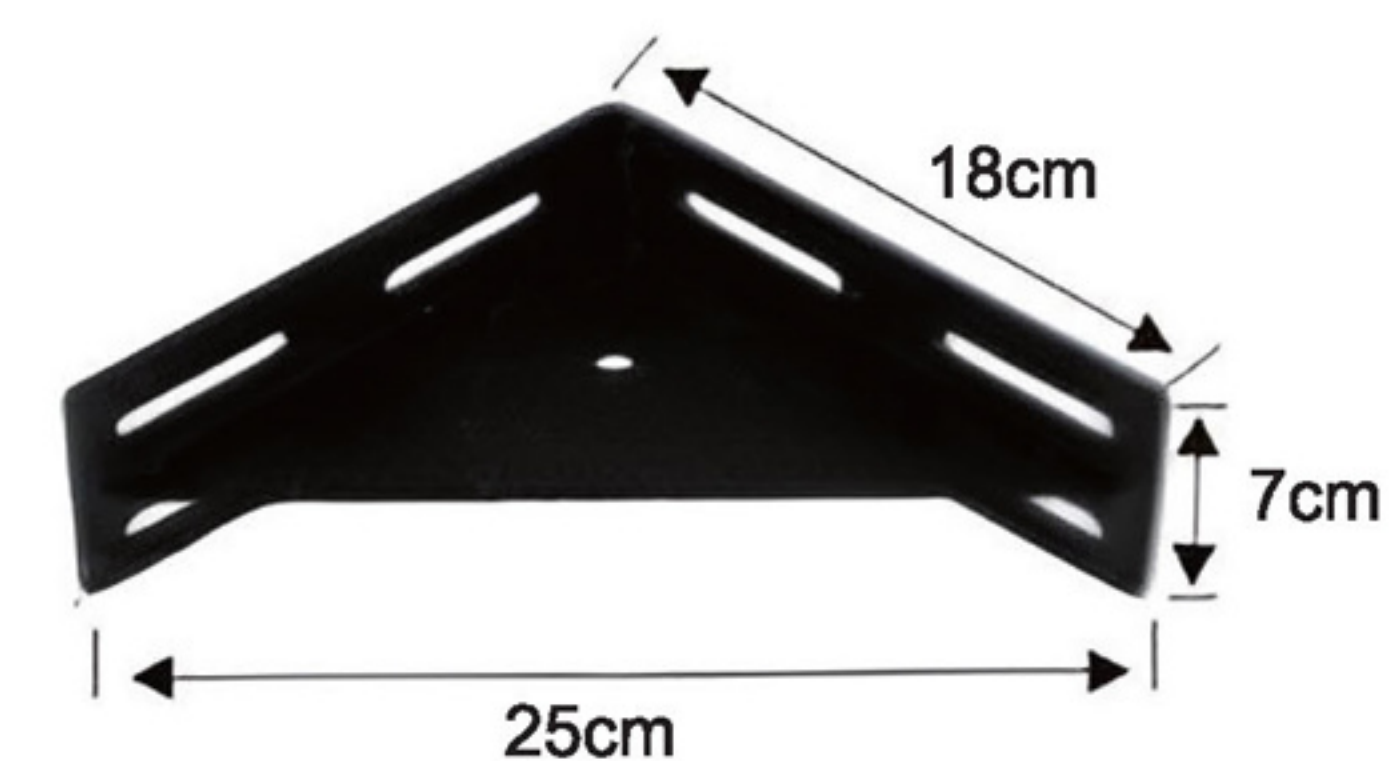
QH-S06



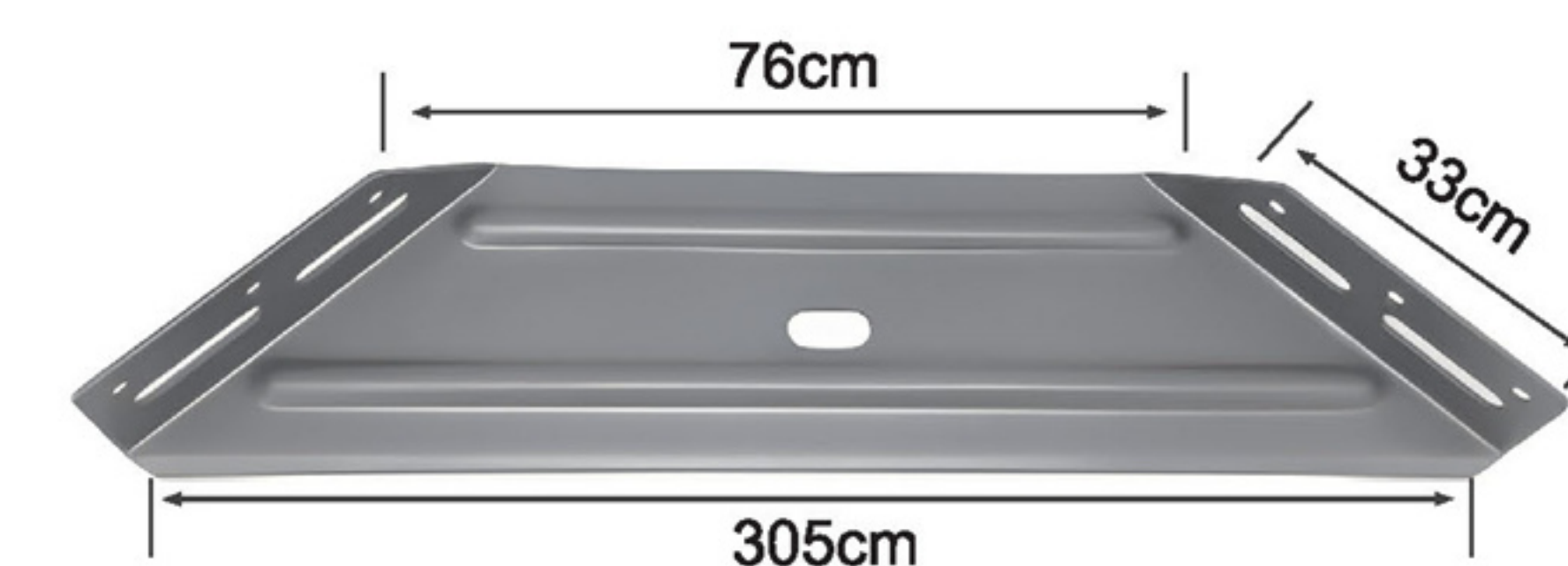
QH-S05



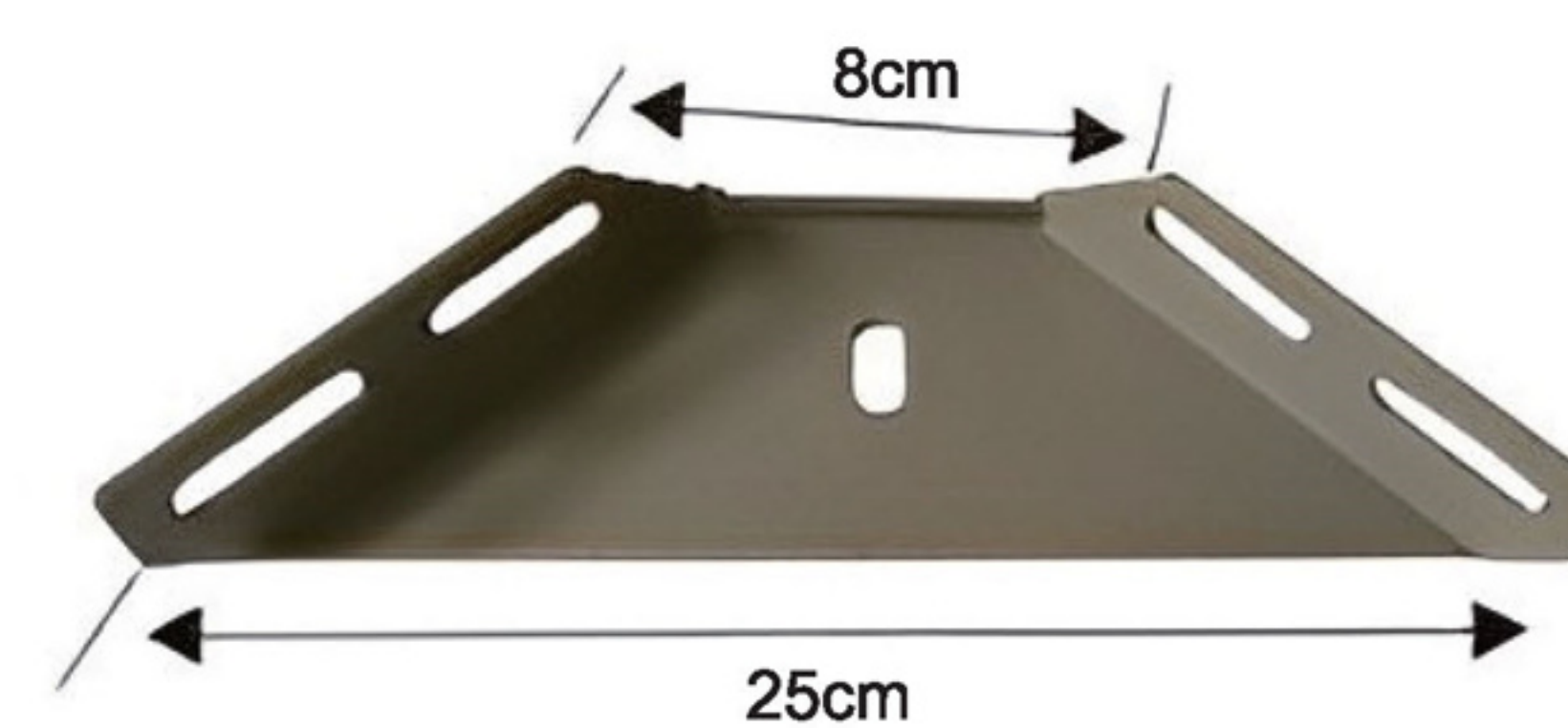
QH-S07



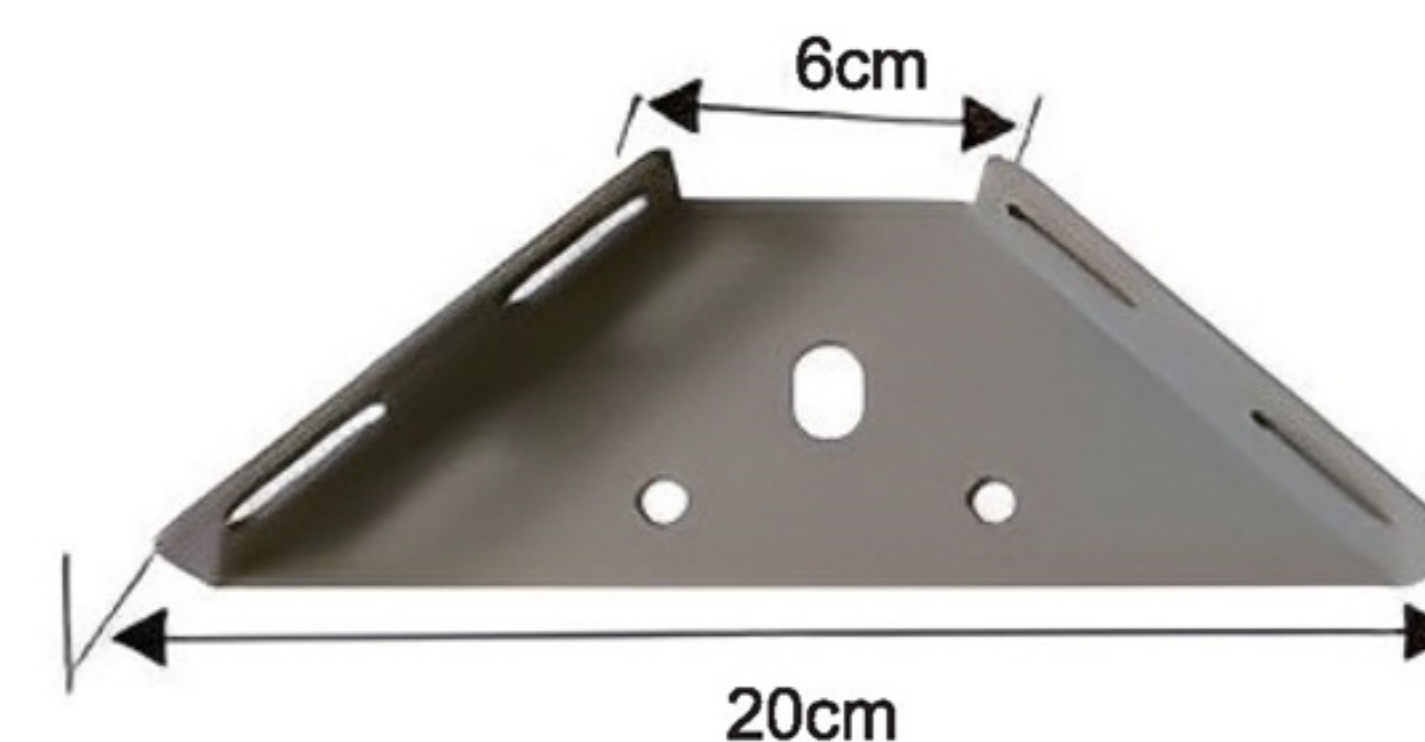
QH-S08



QH-S11



QH-S09



QH-S10

产品配件 Customized Product



HQDZ-001



HQDZ-002



HQDZ-003



HQDZ-004



HQDZ-005



HQDZ-006



HQDZ-007



HQDZ-008



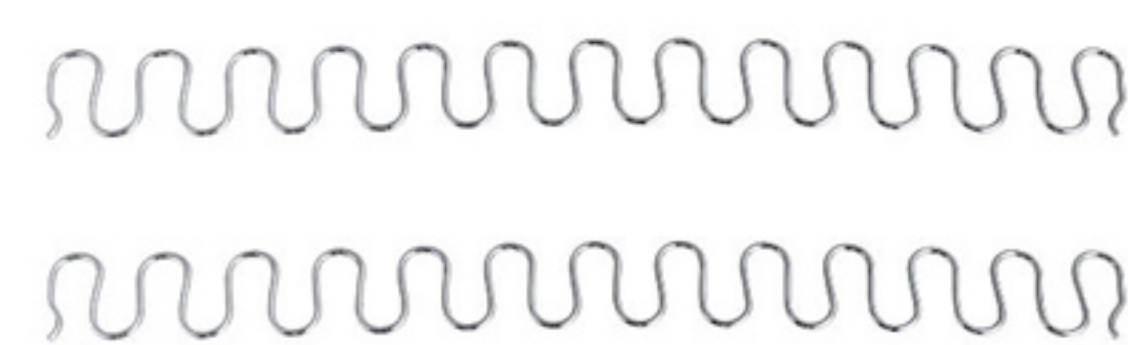
HQDZ-009



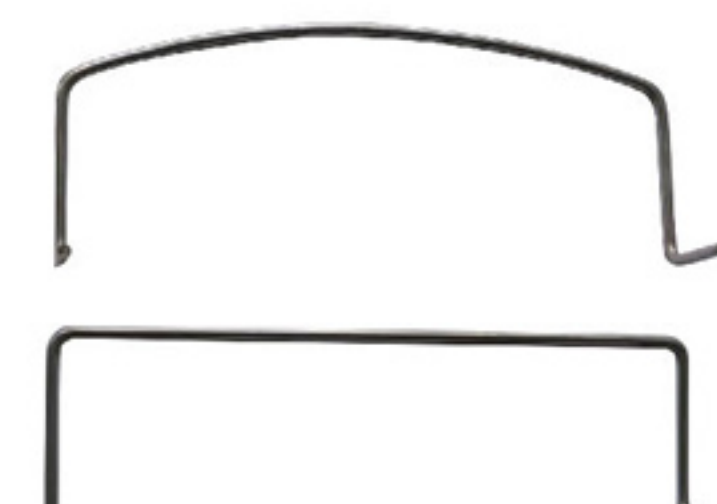
HQDZ-010



HQDZ-011



HQDZ-012



HQDZ-013



HQDZ-013



QH-Q10
Pitch:105mm
gas pressure:50N-500N
Cylinder: 22mm /24mm/26mm



QH-Q28
Pitch:285mm
gas pressure:500N-2000N
Cylinder: 22mm /24mm/26mm



QH-Q40
Pitch:400mm
gas pressure:500N-2000N
Cylinder: 22mm /24mm/26mm



QH-Q34
Pitch:340mm
gas pressure:500N-2000N
Cylinder: 22mm /24mm/26mm



QH-Q42
Pitch:420mm
gas pressure:500N-2000N
Cylinder: 22mm /24mm/26mm



QH-Q54
Pitch:540mm
gas pressure:500N-2000N
Cylinder: 22mm /24mm/26mm

QIHAO
Furniture Hardware Manufacturer